

4MP MiniFixed Bullet Network Camera

IPC2124SR3-APF40 (60)



Key Features

Optics

- Day/night functionality
- SmartIR ,up to 30 m (98 ft) IR distance
- Optical glass window with higher light transmittance
- IR anti-reflection window to increase the infrared transmittance
- 2D/3D DNR (Digital Noise Reduction)

Compression

- Ultra 265,H.265, H.264, MJPEG
- Embedded smart algorithm
- Triple streams
- 9:16 corridor format

Network

- ONVIF Conformance

Structure

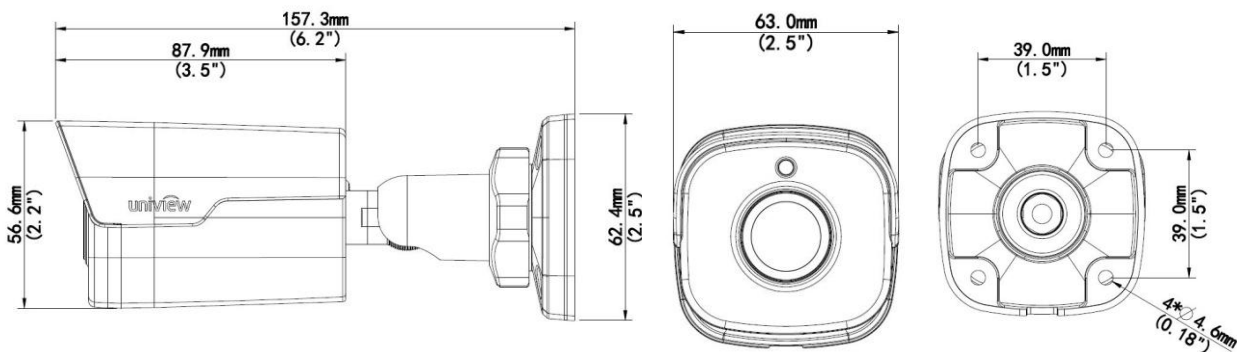
- Wide temperature range: -35°C to 60°C (-31°F to 140°F)
- Wide voltage range of ±25%
- IP67
- 3-Axis

Specifications

	IPC2124SR3-APF40	IPC2124SR3-APF60	
Camera			
Sensor	1/3", megapixel, 4.0progressive scan, CMOS		
Lens	4.0mm@F2.0	6.0mm@F2.0	
Angle of View(H)	78.9°	49.9°	
Angle of View (V)	39.6°	27°	
Angle of View (O)	97.1°	61.4°	
Adjustmentangle	Pan: 0°~360°	Tilt: 0°~90°	Rotate:0°~360°
Shutter	Auto/Manual, 1~1/100000 s		
Minimum Illumination	Colour: 0.03 Lux (F2.0, AGC ON) 0 Lux with IR on		
Day/Night	IR-cut filter with auto switch (ICR)		
Digital noise reduction	2D/3D DNR		
S/N	>52dB		
IR Range	Up to 30m (98 ft) IR range		
Defog	Digital Defog		
WDR	120dB		
Video			
Video Compression	Ultra 265,H.265, H.264, MJPEG		
H.264 code profile	Baseline profile, Main Profile, High Profile		
Frame Rate	Main Stream:4MP (2592×1520): Max. 20 fps, 4MP (2560×1440): Max. 25 fps, 3MP (2048×1520): Max. 30 fps; Sub Stream:2MP (1920×1080): Max. 30 fps; Third Stream:D1(720×576) : Max. 30fps		
9:16 Corridor Mode	Supported		
HLC	Supported		
BLC	Supported		
OSD	Up to 8 OSDs		
Privacy Mask	Up to 8 areas		
ROI	Up to 8 areas		
Motion Detection	Up to 4 areas		
Smart			
Behavior Detection	Intrusion, cross line, motion detection		
Intrusion	Enter and loiter in a pre-defined virtual region		

cross line	Cross a pre-defined virtual line
motion detection	Moving within a pre-defined virtual region
Recognition	Face detection, Audio detection
Intelligent Identification	Defocus, Scene Change, Object Left, Object Moving
Statistical Analysis	People counting
General Function	Watermark, IP Address Filtering, Tampering Alarm, Alarm input, Alarm output, Access Policy, ARP Protection, RTSP Authentication, User Authentication
Audio	
Audio Compression	G.711
Suppression	Supported
Sampling Rate	8 KHZ
Network	
Protocols	IPv4, IGMP, ICMP, ARP, TCP, UDP, DHCP, PPPoE, RTP, RTSP, RTCP, DNS, DDNS, NTP, FTP, UPnP, HTTP, HTTPS, SMTP, 802.1x, SNMP
Compatible Integration	ONVIF(Profile S), API
Interface	
Alarm I/O	1/ 1
Built-in Mic	Supported
Network	1 RJ45 10M/100M Base-TX Ethernet
General	
Power	12 V DC±25%,PoE (IEEE802.3 af)
	Power consumption: Max 6W
Dimensions (L × W × H)	157.3 × 62.4 × 63 mm (6.2" × 2.5" × 2.5")
Weight	0.45 kg (0.99lb)
Working Environment	-35°C ~ +60°C (-31°F ~ 140°F), Humidity :10%~95%RH(non-condensing)
Ingress Protection	IP67
Reset Button	Supported

Dimensions



Zhejiang Uniview Technologies Co., Ltd.

Building No.10, Wanlun Science Park, Jiangling Road 88, Binjiang District, Hangzhou, Zhejiang, China (310051)

Email: overseasbusiness@uniview.com; globalsupport@uniview.com

<http://www.uniview.com>

©2017-2018 Zhejiang Uniview Technologies Co., Ltd. All rights reserved.

*Product specifications and availability are subject to change without notice.